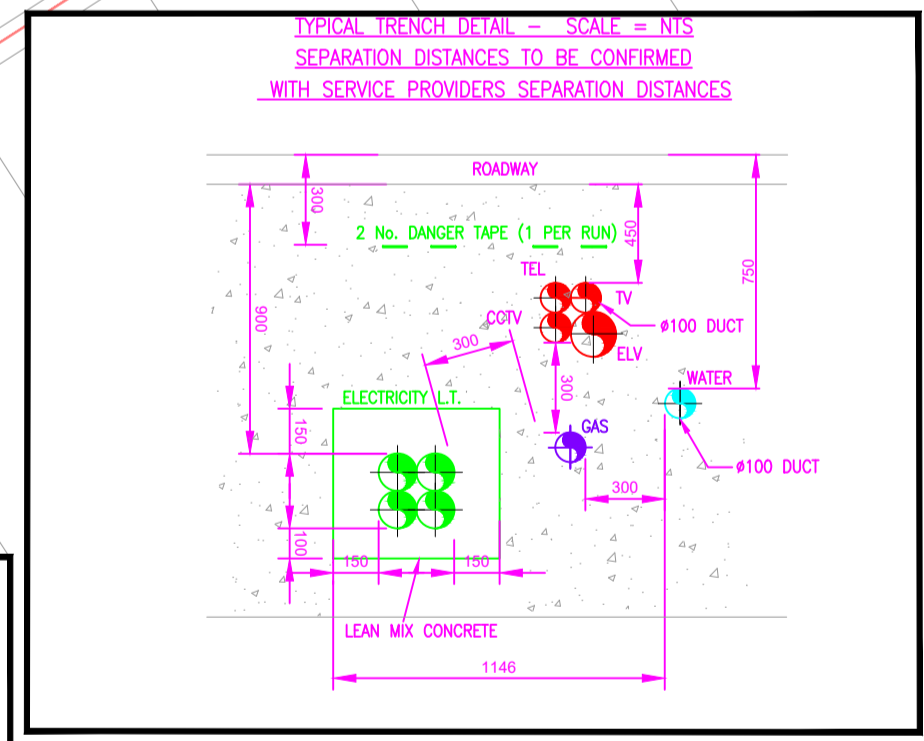
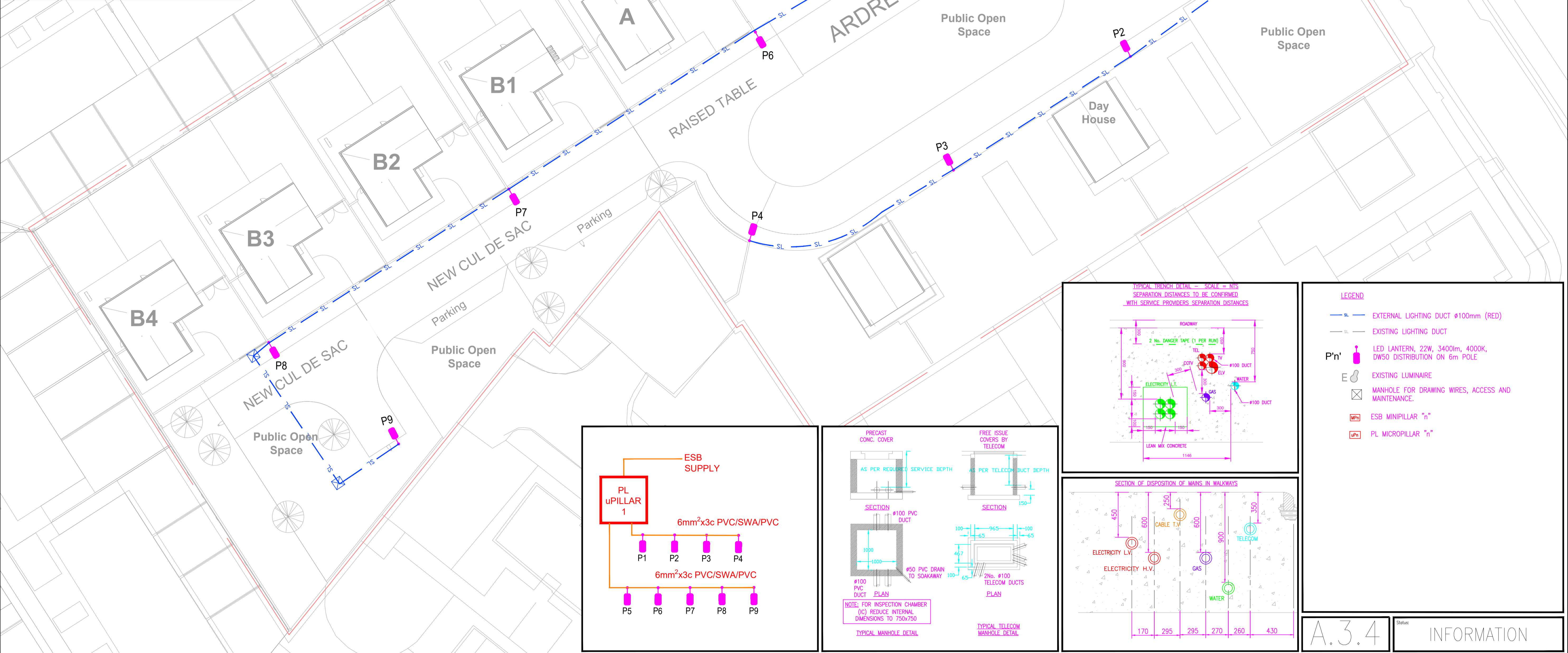
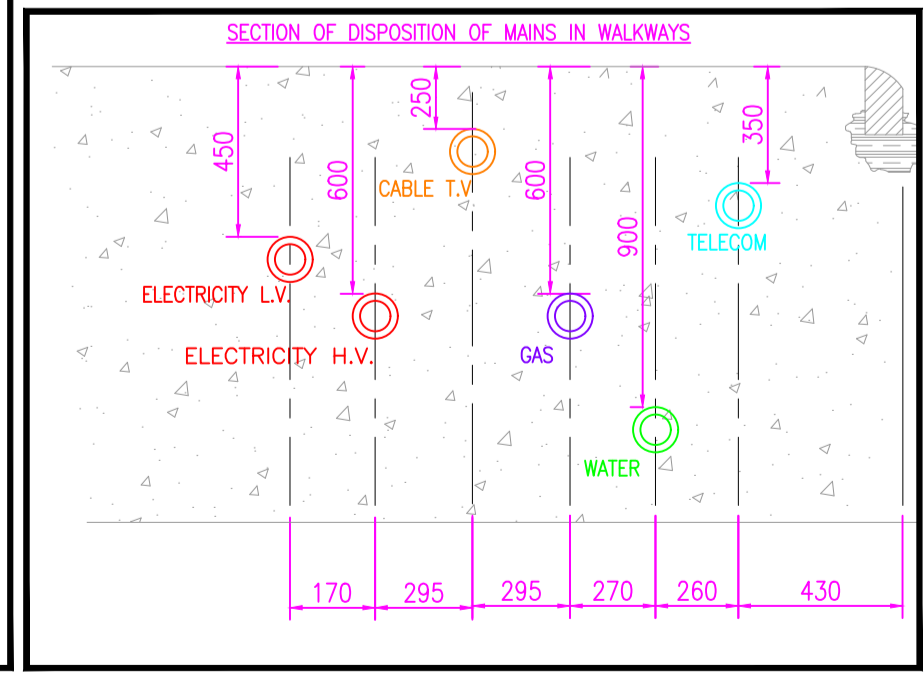
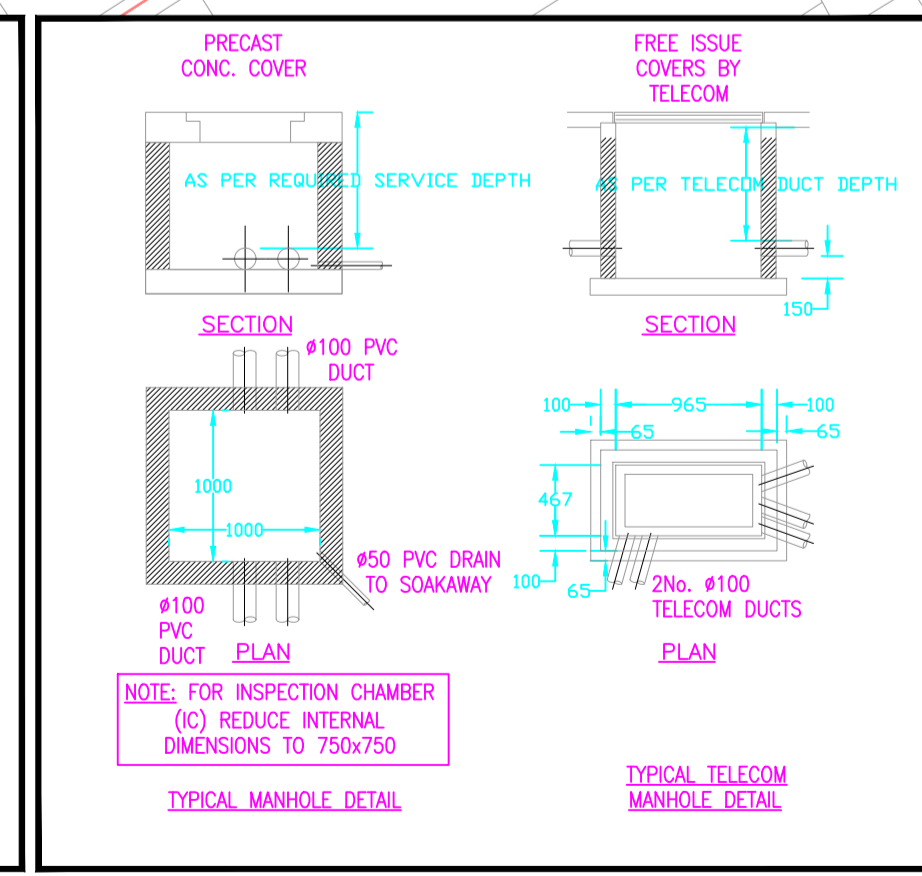
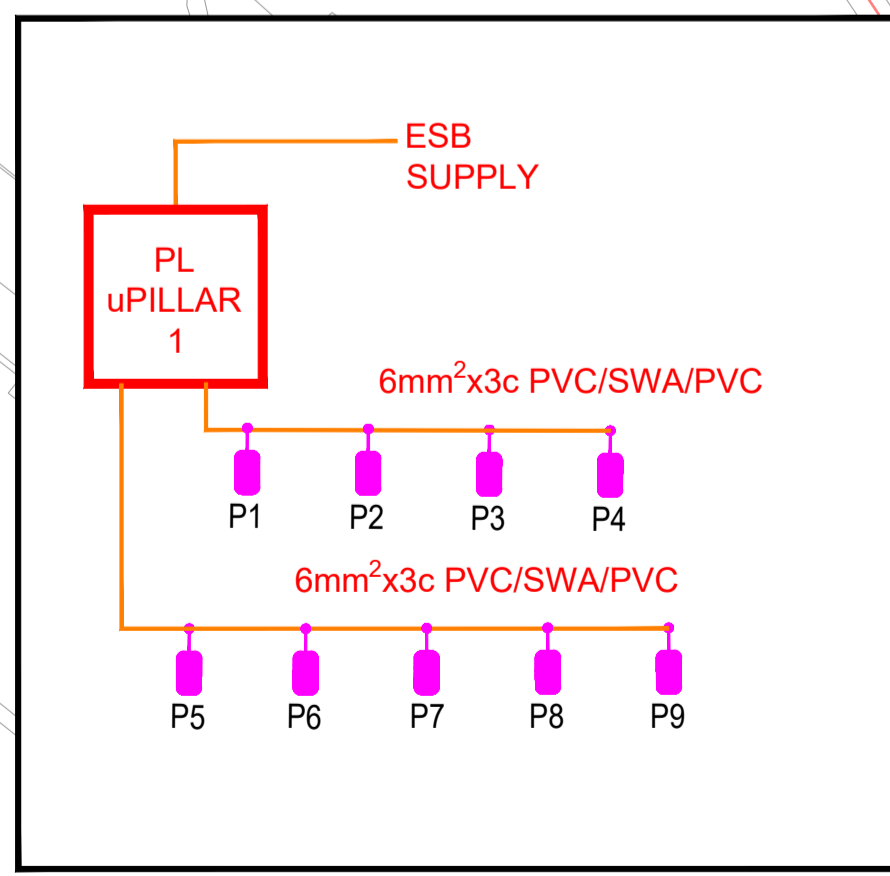


- NOTES:**
1. DUCTING SHALL COMPLY WITH LATEST VERSION OF BS EN 50086 AND SHALL BE SINGLE WALL, COLOURED RED AND MANUFACTURED FROM HIGH-DENSITY POLYETHYLENE. THE NOMINAL EXTERNAL DIAMETER OF THE DUCT SHALL BE 107MM WITH A MINIMUM WALL THICKNESS OF 5MM. EACH LENGTH OF DUCT SHALL BE STAMPED WITH THE WORDS "PUBLIC LIGHTING" OR "STREET LIGHTING", IN 18MM BLACK LETTERING REPEATED AT 1-METRE INTERVALS. DUCTS SHALL BE LAID WITH THE LEGEND FACING UPWARDS, IN A STRAIGHT LINE, CLOSE TO THE LINE OF THE COLUMN LOCATIONS AND SHALL CONTAIN A CONTINUOUS DRAW WIRE OF 8 KN STRENGTH.
 2. SAND SHOULD BE USED TO BACKFILL TO 150MM ABOVE THE TOP OF THE DUCTING.
 3. A CLEARANCE OF AT LEAST 100MM SHALL BE ALLOWED TO THE TRENCH WALL.
 4. AN IDENTIFYING TAPE MUST BE PLACED ON TOP OF THE SAND.
 5. A MINIMUM DEPTH OF 450MM COVER IS REQUIRED IN URBAN FOOTWAYS, GRASS MARGINS, PEDESTRIAN WAYS, LANEWAYS AND VEHICULAR ACCESSES; AND A MINIMUM DEPTH OF 750MM IS REQUIRED AT ROAD CROSSINGS OR UNDER ROADWAYS.
 6. INSTALLATION TO BE IN ACCORDANCE WITH KILDARE COUNTY COUNCIL'S PL REQUIREMENTS



- LEGEND**
- SL — EXTERNAL LIGHTING DUCT #100mm (RED)
 - SL — EXISTING LIGHTING DUCT
 - P'n' LED LANTERN, 22W, 3400lm, 4000K, DW50 DISTRIBUTION ON 6m POLE
 - E EXISTING LUMINAIRE
 - ⊠ MANHOLE FOR DRAWING WIRES, ACCESS AND MAINTENANCE.
 - MPn ESB MINIPILLAR "n"
 - PLn PL MICROPILLAR "n"



Dwg No.	Referenced drawings	Dwg Title
P1	06/11/24	INFORMATION

Rev.	Date	Description	Dwn.	Chkd.	Appvd.
P1	06/11/24	INFORMATION	HP	BC	BC

- NOTES:**
1. THIS DRAWING TO BE READ IN CONJUNCTION WITH ALL RELEVANT ARCHITECTS, C&S ENGINEERS DRAWINGS & SPECIFICATIONS.
 2. ALL WORKS TO BE CARRIED OUT IN ACCORDANCE WITH THE RELEVANT BUILDING REGULATIONS.
 3. DO NOT SCALE - WORK TO FIGURE DIMENSIONS ONLY.

ENGINEERS IRELAND

cpd ACCREDITED COMPANY

IHEEM

Qualitas Veritas ISO 9001-2015

PUBLIC LIGHTING SITE SERVICES LAYOUT

Date: 06/11/2024

Scale: 1:250@A1 (1:500@A3)

Drawn By: H.P.

Checked By: B.C.

Approved By: B.C.

KILDARE COUNTY COUNCIL

Job Description: COMMUNITY HOUSING AT ARDREW, ATHY, Co. KILDARE

Project No: 24ME014

Drawing Ref: ME1000(C)

Rev: P1

Hayes Higgins Partnership

Gas House Lane, Kilkenny.

056 7764710 056 772323 info@hayeshiggins.com

A.3.4

Information